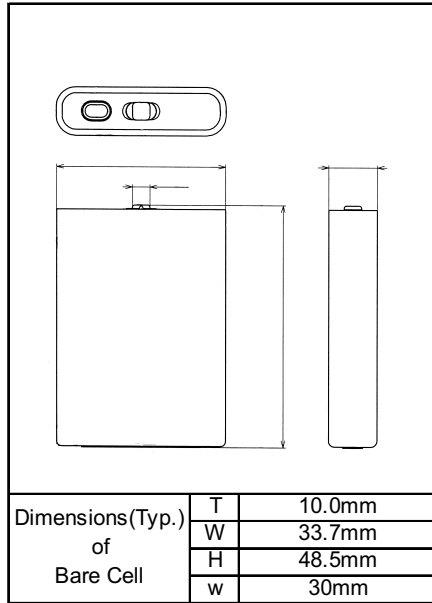


Cell Type UF103450P(1700mAh) Specifications



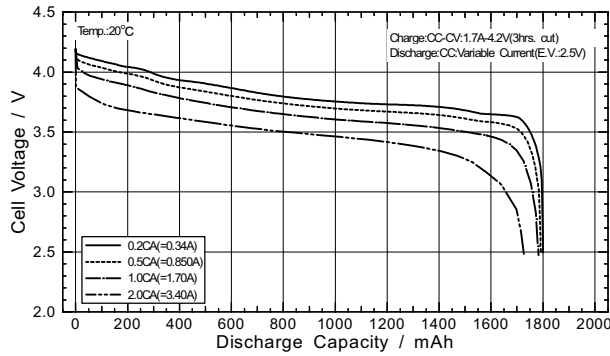
Nominal Capacity		1700mAh
Nominal Voltage		3.7V
Charging Method		Constant Current -Constant Voltage
Charging Voltage		4.2V
Charging Current		Std. 1700mA
Charging Time		2.5hrs.
Ambient Temperature	Charge	0~+40°C
	Discharge	-20~+60°C
	Storage	-20~+50°C
Weight (Max.)		39.5g
Dimensions (Max.)	(T)	10.50mm
	(W)	33.80mm
	(H)	48.80mm
Volumetric Energy Density		363Wh/l
Gravimetric Energy Density		159Wh/kg

Discharged State after Assembling

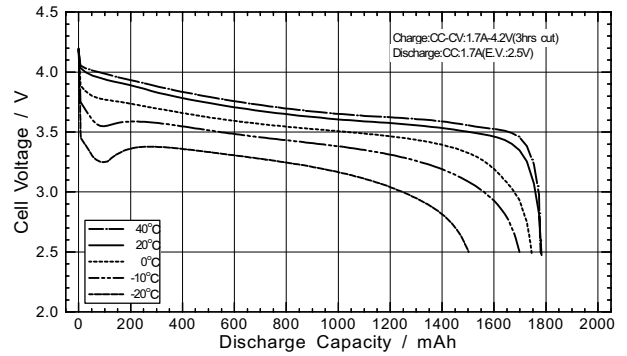
*The maximum thickness of the standard shipment charging condition

Typical Characteristics

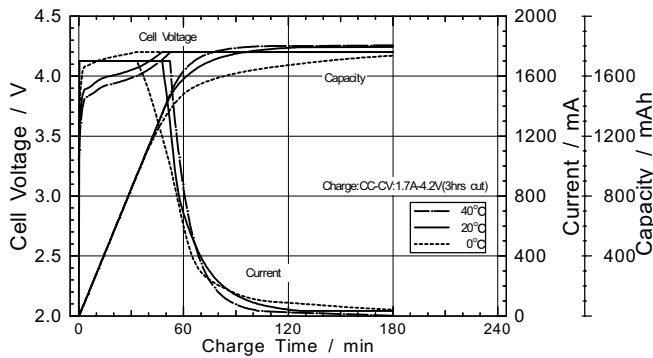
Discharge rate characteristics



Discharge temperature characteristics



Charge characteristics



Cycle characteristics

